



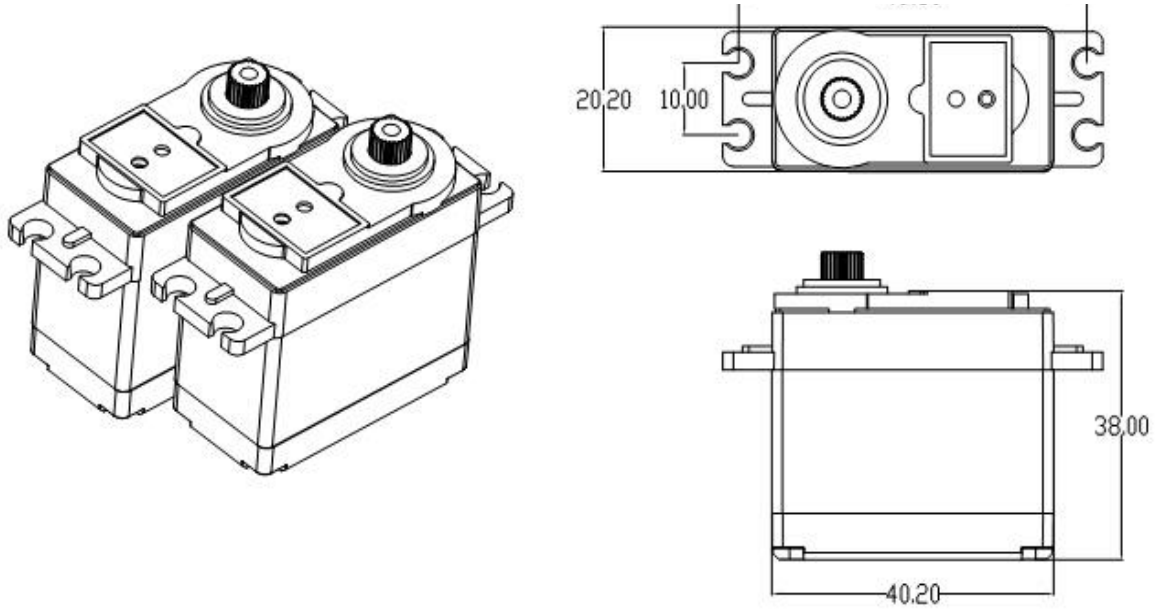
CYS Model Technology Co.,LTD
Add: No.290,Changma Road.Changping Town.Dongguan,Guangdong. CHINA
Tel: +86 769 81091556 Fax:+86 769 81091557
Email: info@cysmodel.com

Specification Sheet

	CYS-S0200
Type	Digital
Weight	62g ± 1g
Size	40.5*20*38mm
Control System	(+)Pulse Width Control 1500usec Neutral
Operating Voltage	6.0~7.4Volts
Operating Temperature Range	(-)10 to +50 degree C
Operating Speed (6.0V)	0.14sec/60° at no load
Operating Speed (7.4V)	0.12sec/60° at no load
Stall Torque (6.0V)	18kg.cm
Stall Torque (7.4V)	20kg.cm
Operating Angle	45deg.one side pulse traveling 500 usec
Direction	Anticlockwise/Pulse Traveling 1000~2000usec
Current Drain (6.0V)	20mA/idle and 100mA no load operating
Current Drain (7.4V)	20mA/idle and 150mA no load operating
Stall Current	2.5A/2.8A
Dead Band Width	4usec
Motor Type	NdFeB
Bearing Type	Dual ball bearing
Horn gear spline	25T
Gear Type	Metal
Connector Wire Length	300mm±5mm
Wire info	Brown/Black = Negative
	Red = Positive
	Orange/White = Signal



CYS Model Technology Co.,LTD
Add: No.290,Changma Road.Changping Town.Dongguan,Guangdong. CHINA
Tel: +86 769 81091556 Fax:+86 769 81091557
Email: info@cysmodel.com



Drawing of CYS-S0200